

SAFE-T-SWITCH®

The Most Reliable Switch

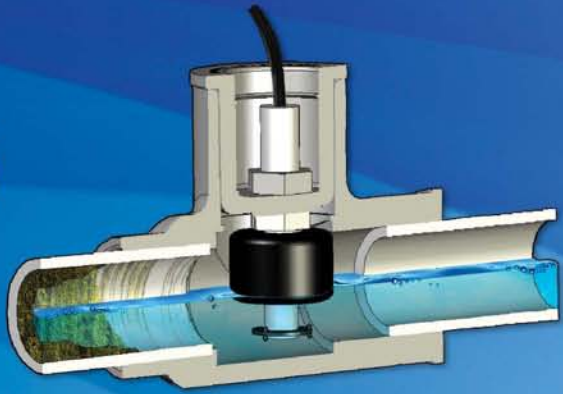
- **Magnetic Reed Switch**
- **Easy to Install & Service**
- **Code Compliant**
- **UL Listed 508**
- **Installation on Primary & Auxiliary Drain Outlets or Pans**
- **Adjustable Bracket SS4
Normally Open SS3CT**
- **Electronic Probe Sensors
SS 103 E & SS 500 EP**
- **Introducing New sensor for:
Mini split units - SS 610E
Universal Puck - SS 700E**



SAFE-T-SWITCH®

Safe-T-Switch® is the most reliable condensate overflow switch available. It detects clogged air conditioning condensate drains and shuts off the system to prevent water damage to the structure.

This easy to install, uniquely designed, patented magnetic reed switch will not stick or rust. Safe-T-Switch® condensate overflow switch can be connected to either the red or yellow (thermostat) wires.



Model SS1

For Installation on Primary Drains or Auxiliary Drain Outlets

Safe-T-Switch® model SS1 can be installed horizontally or vertically, inline or on the primary pan's auxiliary drain outlet by using the included 3/4" adapter, bushing and cap. It can be installed on a sloping line and does not need to be level or plumb.

RS #	Description	Qty
97632	Model SS1	24



Model SS2

For Installation on Primary Pan Auxiliary Outlet

Using the 3/4" adapter, the SS2 can be installed on the auxiliary outlet of the primary drain pan. The SS2 also provides easy access to the switch and the primary drain line for service.

RS #	Description	Qty
97637	Model SS2	24



Model SS3

For Installation on Primary & Auxiliary Drain Pans

The specially designed steel mounting bracket clips firmly over the edge of most drain pans. The slim-profiled SS3 can be installed on primary or auxiliary drain pans.

RS #	Description	Qty
97647	Model SS3	24





Model SS4

For Installation on Primary & Auxiliary Drain Pans with Slanted Sides or Lipped Edges

The SS4 clip is adjustable to fit over slanted sides and lipped edges. SS4 can be installed on primary or auxiliary drain pans.

RS #	Description	Qty
97625	Model SS4	24

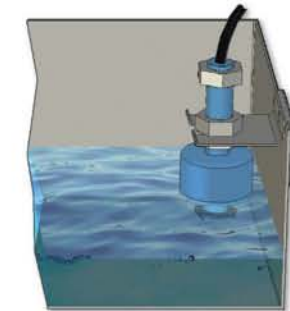


Model SS3-CT

For Installation on Primary & Auxiliary Drain Pans in Systems with Communicating Thermostats

SS3-CT normally open condensate overflow switch can be connected to the accessory wires of the communicating thermostat. Can be installed on primary or auxiliary drain pans.

RS #	Description	Qty
97652	Model SS3-CT	24

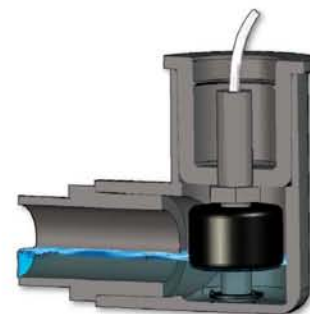


Model SS2AP

For Installation on Primary Pan Auxiliary Outlet When Plenum Rating is Needed

The SS2AP is Schedule 40 CPVC, plenum rated and listed to UL-2043. Using the 3/4" adapter, it can be installed on the auxiliary outlet of the primary drain pan.

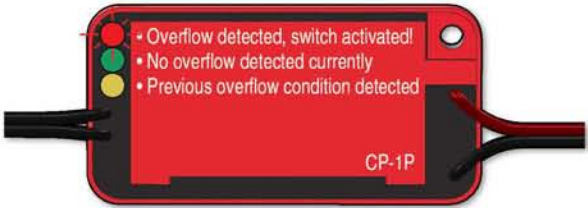
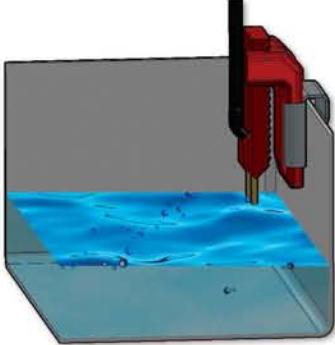
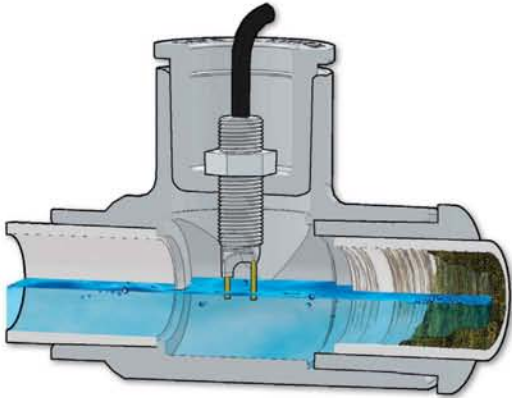
RS #	Description	Qty
97640	Model SS2AP	50



SAFE-T-SWITCH®

The Electronic Condensate Overflow Switch contains low power consuming, state-of-the-art microelectronics. The logic circuit continuously samples the probes for water. If water is detected, the circuit determines if the condition is transient or permanent. If permanent, the system will be shutdown.

Onboard LED's indicate the condition of the unit at a glance, removing any guess work.



SS 103 E

For Primary Drain Line & Auxiliary Drain Pan or Auxiliary Drain Outlet & Auxiliary Drain Pan

SS 103 E can be installed horizontally or vertically, inline or on the primary pan's auxiliary drain outlet by using the included 3/4" adapter, bushing and cap. An additional sensor can be installed in the auxiliary drain pan. SS 103 E provides the added protection of dual sensor control with the simplicity of installing a single device.

RS #	Description	Qty
97692	Model SS 103 E	24



SS 500 EP

For Installation on Primary Drain Pan when Plenum Rating is Needed

SS 500 EP is easily installed directly in the drain pan. Its small size and slim profile makes it great for use on commercial rooftop downflow units.

RS #	Description	Qty
97693	Model SS 500 EP	24



SAFE-T-SWITCH®



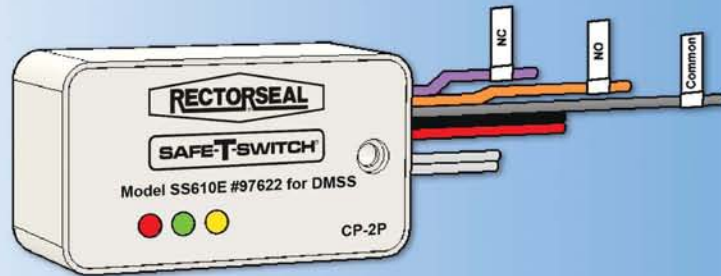
SS 610 E

For Installation Directly on Primary Drain Pan or Clipped to Coils Above Primary Drain Pan

RS #	Description	Qty
97622	Model SS 610 E	12



SS610E is specially designed for use in Mini Split systems. Its small Sensor can easily fit in the confined internal spaces of most units. It can also be installed directly in the Drain Pan or clipped to the unit's Coils. SS610E's CPU unit is housed in an attractive casing that can be mounted directly to the side of the unit.

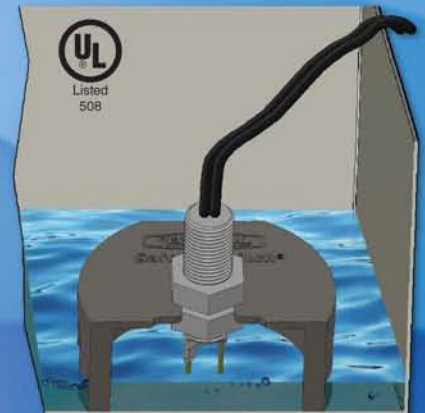


SS 700 E

For Secondary Auxiliary Drain Pan

RS #	Description	Qty
97695	Model SS 700 E	24

Safe-T-Switch® model SS700E can be installed in the secondary auxiliary drain pan. Designed to work in any position, the new Universal Puck works in all secondary drain pans.



Scan for More Product Information

Which Safe-T-Switch is Right for You?

Model #	RS #	Float Switch	Electric Probe	Drain Line		Drain Pan	Ductless Mini Split	Normally Open	Normally Closed	Plenum Rated	UL-508	UL-2043
				Primary	Secondary							
SS1	97632	✓		✓	✓				✓		✓	
SS2	97637	✓			✓				✓		✓	
SS3	97647	✓				✓			✓		✓	
SS4	97625	✓				✓					✓	
SS3-CT	97652	✓				✓		✓	✓		✓	
SS2AP	97640	✓			✓				✓	✓	✓	✓
SS103 E	97692		✓	✓	✓	✓			✓		✓	
SS500 EP	97693		✓			✓			✓	✓	✓	✓
SS610 E	97622		✓			✓	✓	✓	✓		✓	
SS700 E	97695		✓			✓			✓		✓	

Safe-T-Switch Accessories

Model SG1



Condensate Overflow Alarm
Alerts the dwelling occupant when the drain is clogged, before the house gets hot. Use with Safe-T-Switch.

RS #	Description	Qty
97655	Model SG1	25



Condensate Drain Line Cleaners



Hydrex™ A/C Tabs
A/C Drain Pan & Drain Line Treatment

- Prevents drain line and pan blockage in air conditioners, humidifiers and refrigerators due to build up of sludge and slime.
- 2 tablets per one ton of air conditioning controls odor and sludge for up to 3 months.
- Tablets are easily dispensed from the plastic bottle.

RS #	Description	Qty
68115	200 tablets	12



Nu Line®
A/C Condensate Drain Cleaner

- Helps prevent A/C drain line clogs and water leaks by removing slime and keeping drain lines open.
- Use every three months to help prevent mold growth in clogged A/C drain lines.

RS #	Description	Qty
97685	8 ounce	24
97690	32 ounce	12